

MEFE
MITCHELL ENGINEERING
FOOD EQUIPMENT PTY LTD

User Manual



Automatic Infrared Sanitiser Dispenser

Stainless Steel

CAT 68DS

Revision 2

Product Description

This automatic sanitiser dispenser uses digital control and infrared sensing. It has a low energy consumption drive circuit design to make the battery life longer. Wall mounted and easy install makes it an ideal solution to meet sanitation requirements.

Specifications

Voltage: DC 4 x 1.5V or AC 6V

Sensing distance: 8cm ± 1cm

Volume dispensed: 1ml

Capacity: 900ml

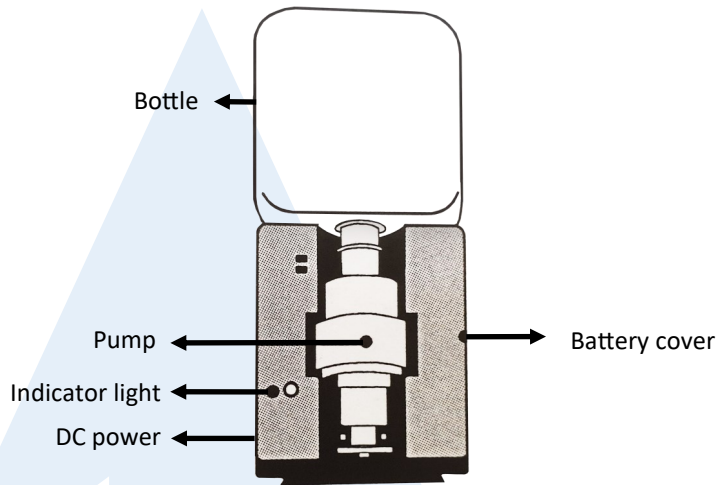
Package

Sanitiser Dispenser

Rubber plugs and 4 screws

Mounting dimensions guide

Instruction manual



Installation

Release the tab at the top of the dispenser on the back to open the dispenser body (figure 1).

Drill mounting holes in the installation position according to the guide supplied with this manual (figure 2) and insert the supplied rubber plugs.

Fix the product in position using the supplied screws.



Figure 1

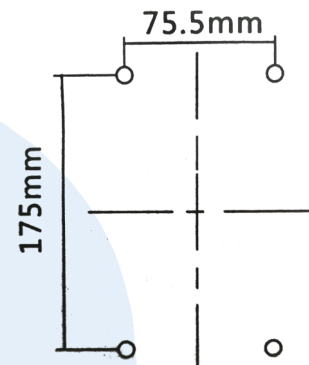


Figure 2

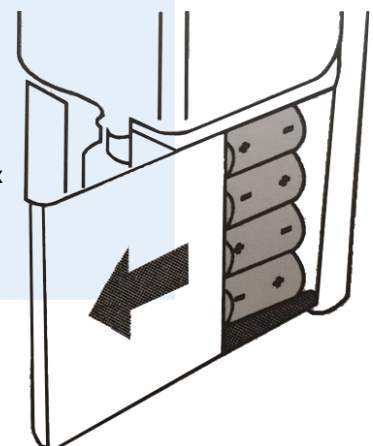
Note: To avoid malfunction of the sensor make sure there is at least 40cm beneath the sensor. Avoid installing it above surfaces with a strong reflection, this may also cause the sensor to malfunction.

Battery Install

If using battery power, pull out the battery cover in the direction of the arrow and insert 4x C batteries (1.5V). Please pay attention to the polarity of the batteries. Close the cover.

If using DC power (optional), plug the adaptor into a 220V outlet and the other end into the DC connector on the side of the battery box.

Ensure the switch located near the batteries is in the On position (flicked down) and that the indicator light located on the front is flashing to confirm adequate power is received.



Sanitiser Refill

Open the bottle cap and pour the sanitiser in the bottle. When refilling the bottle, make sure all liquid in the bottle is poured out before laying the dispenser flat. This is to avoid any liquid flowing out and damaging the circuit board.

Operation Instructions

If using the dispenser for the first time, press the pump head several times to exhaust the air in the pump body before closing the back cover. When in use, place your hand within 8cm of the nozzle and the machine will automatically dispense a 1ml drop.

The dispenser will automatically stop if the user's hand does not leave the sensing range once liquid has been discharged once. This prevents waste and incorrect sensing.

Cleaning and Maintenance

Prevent anything blocking the outlet.

Keep the sanitiser liquid clean without any impurities.

DO NOT splash the dispenser directly.

DO NOT use any kind of thinner or chemical liquid which may damage the surface when cleaning the dispenser.

