

MEFE
MITCHELL ENGINEERING
FOOD EQUIPMENT PTY LTD

Instruction Manual



Automatic Urinal Valve

All-In-One

CAT 67106 | CAT 67106-1

Revision 9

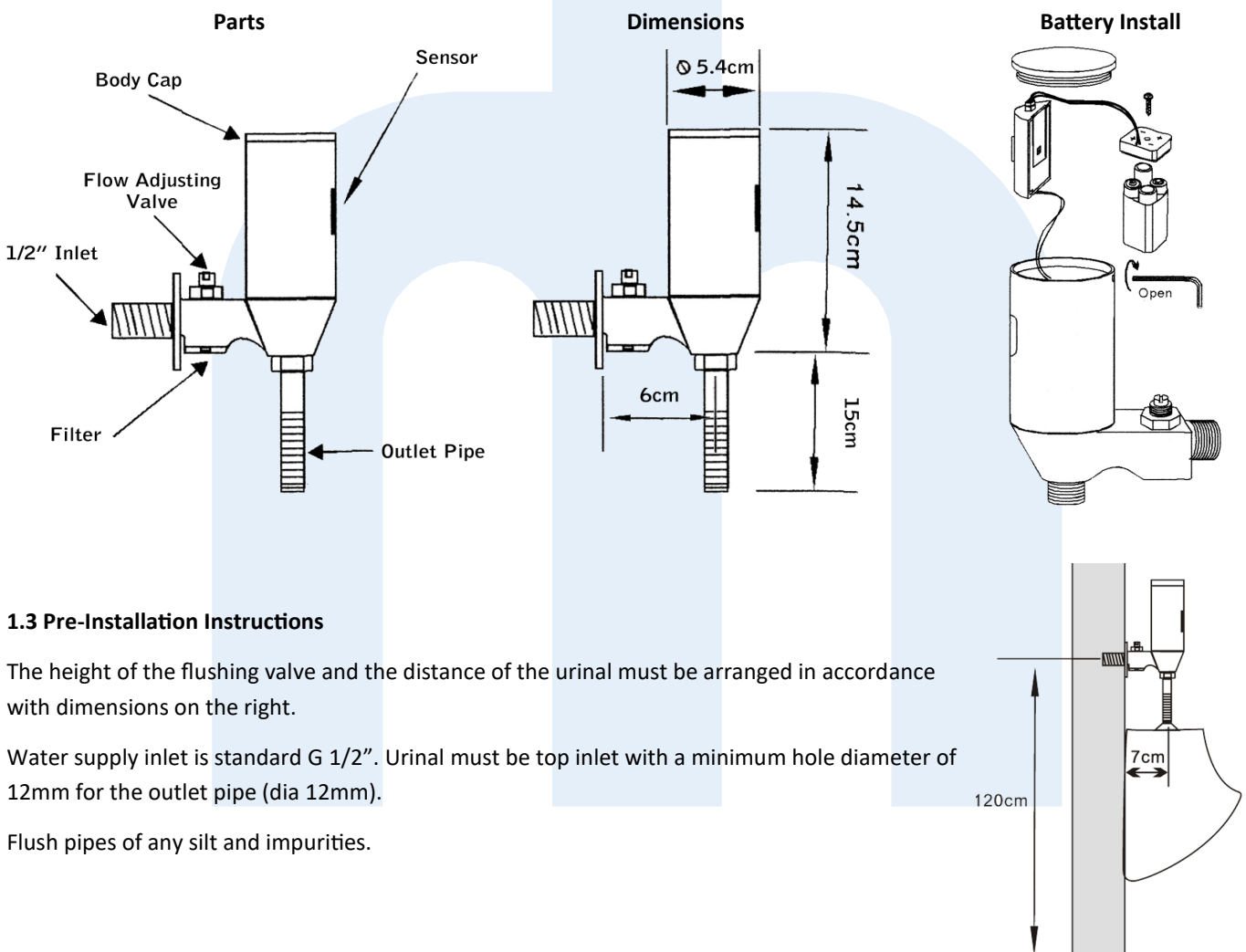
1. Product Description

This urinal flush valves uses a microcomputer controlled infrared sensor and solenoid valve for automatic flushing. This device is a hygienic bathroom solution, eliminating risk of cross contamination and spread of bacteria. It has a sturdy a durable brass body with a chrome plated finish for lustre and shine.

1.1 Specifications

Flushing Style	2 Stages (2s activated on entry and 6s on departure) 2 Stages (Entry and departure 1—11 seconds (± 2 seconds) with optional remote control CAT 67206R)
Sensing Range	10 – 65cm self adjusting 10—100cm (± 10 cm) with optional remote control CAT 67206R
Working Pressure	0.07 to 0.7 Mpa
Connections	Standard 1/2" connections
Dimensions	Unit: 15.5 x 12 x 5.4cm Packaged: 23 x 20 x 7cm, 1.2kg
Power Supply	No electrical wiring required all-in-one unit – 4 x AA battery (90,000 starts) – batteries not supplied
Environment Humidity	< 95%
Working Temperature	1—60°C
Water Flow	5 L/min

1.2 Diagrams



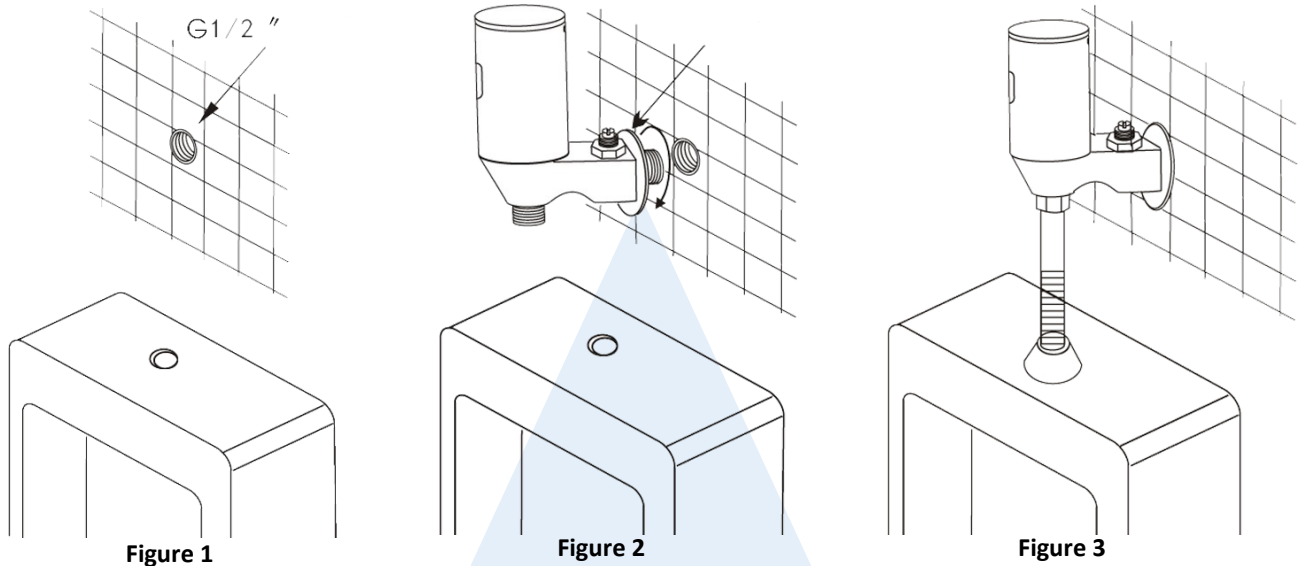
1.3 Pre-Installation Instructions

The height of the flushing valve and the distance of the urinal must be arranged in accordance with dimensions on the right.

Water supply inlet is standard G 1/2". Urinal must be top inlet with a minimum hole diameter of 12mm for the outlet pipe (dia 12mm).

Flush pipes of any silt and impurities.

2. Installation



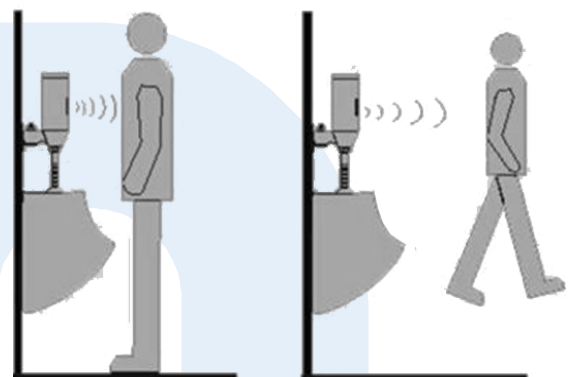
1. This unit requires a 1/2" water supply connection (Figure 1).
2. Apply thread tape to the inlet thread. Place the decorative cover over the inlet valve and turn the flush valve clockwise onto the pipe fitting (Figure 2).
3. Attach the outlet pipe and insert through the urinal top inlet, placing the decorative cover over the urinal hole (Figure 3).

3. Operation

Open the body cap at the top of the unit and insert the batteries.

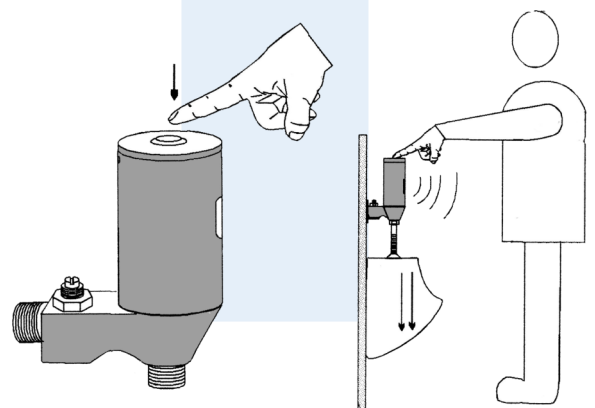
Once power is activated, return the top cap. The unit will automatically begin sensing.

When a user approaches the sensor within range it will automatically flush for approx. 2 seconds. When the user leaves the sensing range, it will automatically flush again for approx. 6 seconds.



3.1 Push Button (CAT 67106-1 only)


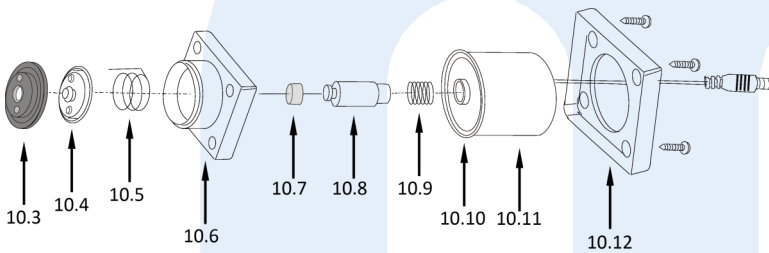
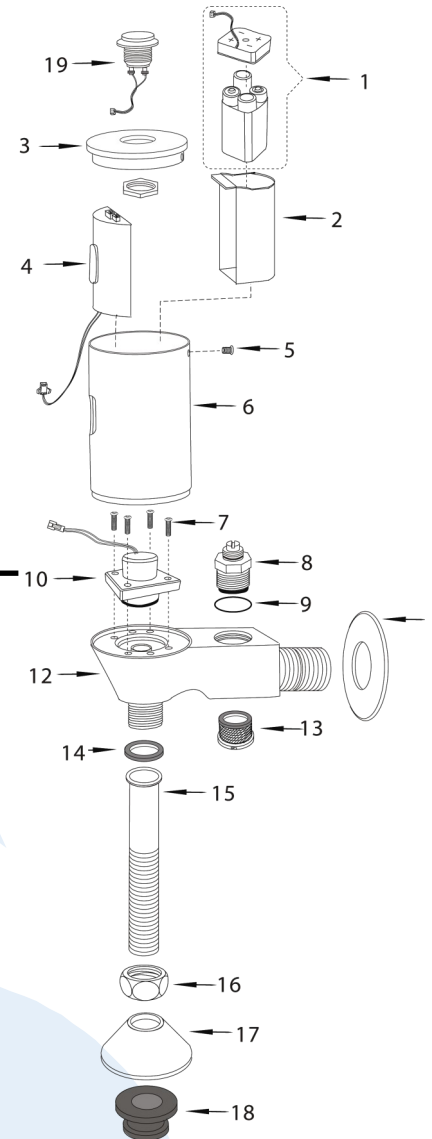
This device is equipped with a manual push button if required.



5. Exploded Diagram and Parts List

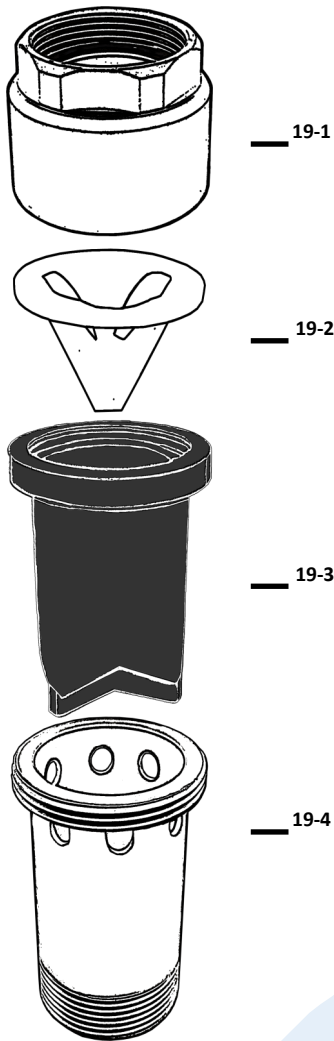
Item	Part	Description	Material
1.	671-064	Battery Pack & Sensor assembly	ABS Plastic
2.	671-062	Battery Case Holder	ABS Plastic
3.	671-063	Cover	Brass 59-1
4.	671-064	Sensor & Battery Pack Assembly	Electronic Hardware/ ABS Plastic
5.	671-065	Screw	304 S/Steel
6.	671-066	Body	Brass 59-1
7.	671-067	Screw	304 S/Steel
8.	671-068	Flow Adjustment	Brass 59-1
9.	671-069	O-Ring	NBR Rubber
10.	679-122B	Solenoid	SUS 304 Stainless + POM Plastic + Rubber
11.	671-070	Washer	304 S/Steel
12.	671-071	Valve Body	Brass 59-1
13.	671-072	Filter	Brass 59-1
14.	671-073	Flat Seal	NBR Rubber
15.	671-074	Bellow	Brass 65
16.	671-075	Nut	Brass 59-1
17.	671-076	Decorative Cover	Brass 65
18.	671-077	Washer	NBR Rubber
19.	671-078	Push Button	304 S/Steel

Optional remote to adjust sensing range or flush cycle: CAT 67206R

Item	Description	Material
10.3	Diaphragm	NBR Rubber
10.4	Diaphragm Skeleton	POM Plastic
10.5	Spring Needle	304 S/Steel
10.6	Seat	POM Plastic
10.7	Glue	Silicone Rubber
10.8	Core	430 Stainless
10.9	Spring	304 S/Steel
10.10	Set	POM Plastic
10.11	Solenoid Valve	Brass + Iron
10.12	Cover	POM Plastic

4. Exploded Diagram and parts list



CAT 67VB



No.	Part	Description	Material
1	19-1	Brass Nut—M39 x 1.5"	Brass 59-1
2	19-2	Spreader / Sleeve	Plastic ABS
3	19-3	Vacuum Breaker Insert	Rubber NBR 70
4	19-4	Brass Tube—M39 x 1.5"	Brass 59-1

5. Troubleshooting

Issue	Cause	Solutions
No water	Check if valve or power turns on, if its DC power, check if batteries need replacing. If by AC, check plug has been connected correctly	Open water valve or turn power switch on. Take out face-plate and retrieve the power supply and sensor. The LED indicating lamp will flash 3 times (power connected)
	Check sensor is not blocked by any obstacles	There should be no obstacles within 100cm of sensor
	Not enough time in front of sensor to activate	Flush will activate 3 seconds after user has approached sensor. It will automatically flush after the user leaves
Water leaking	Water pressure too low	Increase water pressure
	Sand or impurities may get stuck in the seal packing	Open the solenoid valve to clean any silt or sand out
	DC batteries maybe flat	Change 4 x AA batteries to renew power
Low water flow	Water pressure too low	Increase water pressure
	Water valve not open enough	Turn water valve to full open position
	Filter is dirty	Remove filter and clean